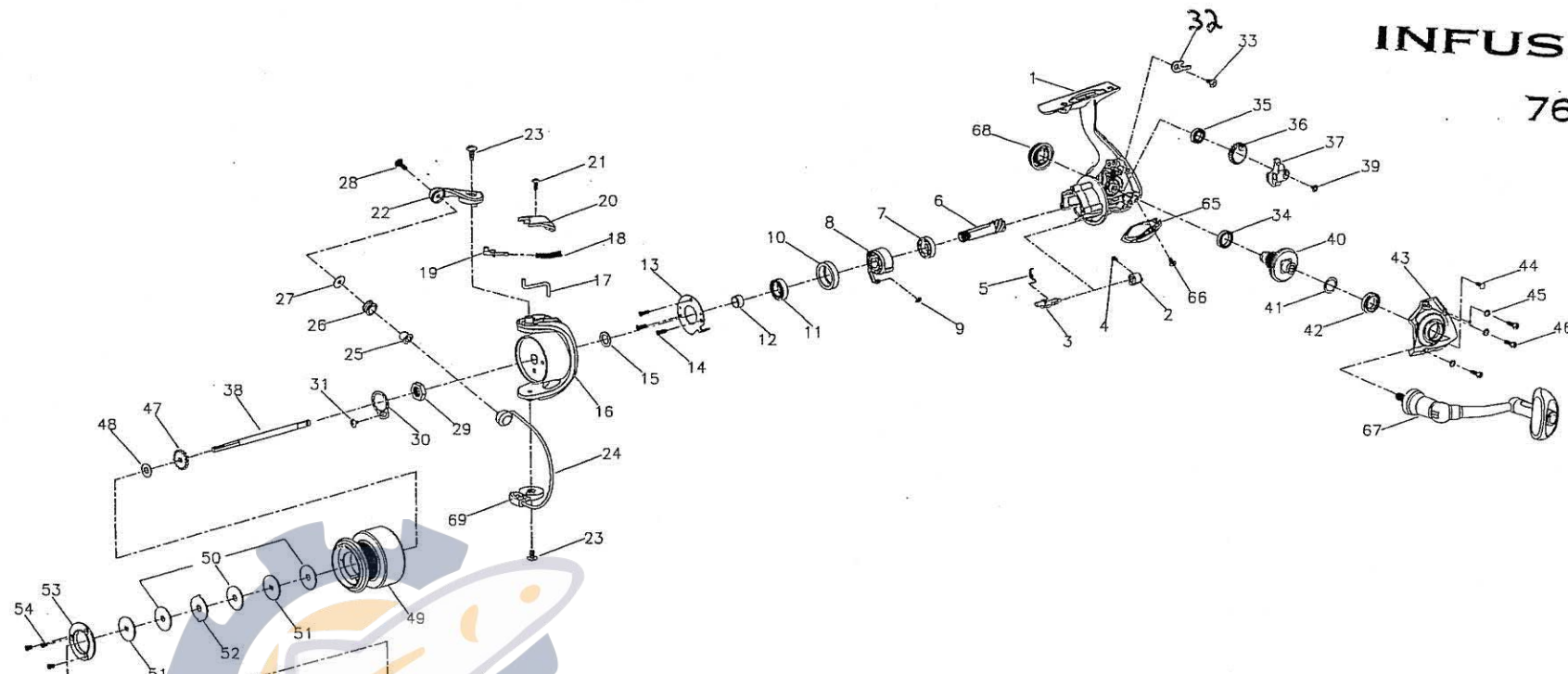


INFUSION™ SS

7625SS



PART # PART NAME

1	BODY ASSEMBLY	36	O/S GEAR
2	N-R LEVER	37	O/S SLIDER
3	N-R LEVER SHAFT	38	MAIN SHAFT
4	N-R LEVER SCREW	39	O/S SLIDER SCREW
5	N-R LEVER SPRING — 1146795	40	DRIVE GEAR
6	PINION	41	GEAR WASHER — 1146817
7	BALL BEARING 14x7x3.5 — 1145082	42	COVER BEARING 14x8x4 — 1145134
8	ONE WAY CLUTCH — 1145111	43	BODY COVER ASSEMBLY
9	CLUTCH SPRING — 1146736	44	COVER SCREW (A)
10	BEARING SLEEVE	45	COVER SCREW ASSEMBLY
11	PINION BEARING 14x8x4 — 1145134	46	COVER SCREW (B)
12	SPACER	47	CLICK GEAR — 1146029
13	BEARING COVER	48	SHEET WASHER — 1146898
14	BEARING COVER SCREW	49	SPOOL ASSEMBLY — 1146599
15	PINION WASHER	50	LINING WASHER
16	ROTOR ASSEMBLY	51	SPOOL WASHER
17	TRIP PLUNGER	52	DRAG WASHER
18	BAIL ARM SPRING — 1146714	53	RETAINER PLATE
19	BAIL ARM GUIDE — 1145732	54	RETAINER PLATE SCREW
20	BAIL ARM COVER	55	DRAG KNOB RING
21	BAIL ARM COVER SCREW	56	DRAG KNOB — 1145898
22	BAIL ARM	57	DRAG CLICK SPRING
23	BAIL ARM SCREW (2)	58	DRAG CLICK PIN
24	BAIL WIRE ASSMBLY — 1145055	59	DRAG NUT
25	LINE ROLLER BUSHING — 1146340	60	DRAG SPRING
26	LINE ROLLER — 1146128	61	DRAG KNOB COVER
27	LINE ROLLER WASHER	62	DRAG KNOB PLATE
28	L-ROLLER SCREW	63	DRAG KNOB SCREW PLATE
29	ROTOR NUT	64	DRAG SEAL
30	ROTOR NUT WASHER	65	REAR COVER
31	ROTOR NUT SCREW	66	REAR COVER SCREW
32	O/S SLIDER PLATE	67	HANDLE ARM ASSEMBLY — 1145514
33	O/S SLIDER PLATE SCREW	68	DUST CAP ASSEMBLY — 1145270
34	GEAR BEARING 12x8x3.5 — 1145132	69	BAIL HOLDER
35	O/S GEAR BEARING 10x6x2.5 — 1145101		